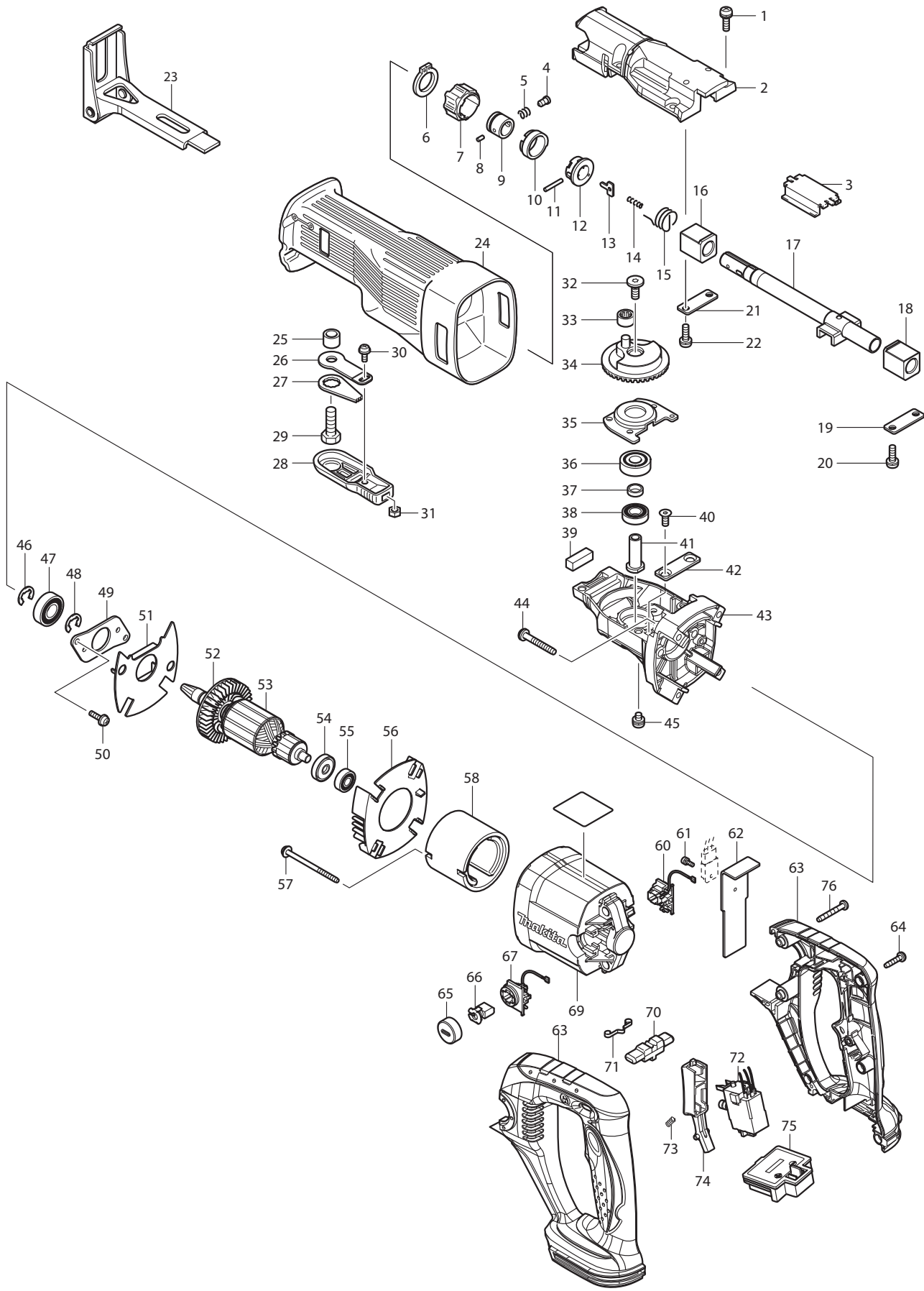




01 - 2010  
BJR141, BJR141Z  
14.4V RECIPRO SAW



Item No	Type	Ref	Part No	Description	Qty	Unit
1			911228-4	PAN HEAD SCREW M5X18	4	PC.
2			151941-4	GEAR HOUSING COVER COMPLETE	1	PC.
		INC.	213177-4	DUST SEAL 14	1	PC.
3			344858-0	SLIDE PLATE	1	PC.
4			256492-3	SHOULDER PIN 5	1	PC.
5			233345-3	COMPRESSION SPRING 6	1	PC.
6			961078-7	RETAINING RING (EXT) S-18	1	PC.
7			162228-9	DRIVING SLEEVE	1	PC.
8			268094-3	PIN 3	1	PC.
9			331639-1	GUIDE SLEEVE	1	PC.
10			417791-0	DRIVING SLEEVE GUIDE	1	PC.
11			256158-5	PIN 3	1	PC.
11			256158-5A	PIN 3 (USE 256158-5)	1	PC.
12			418311-3	SLEEVE	1	PC.
13			345214-7	PUSH PLATE	1	PC.
14			233025-1	COMPRESSION SPRING 2	1	PC.
15			231687-9	TORSION SPRING 17	1	PC.
16			214169-6	PLANE BEARING 14	1	PC.
17			168376-2	SLIDER	1	PC.
18			214169-6	PLANE BEARING 14	1	PC.
19			341462-6	PLATE	1	PC.
20			911225-0	PAN HEAD SCREW M5X16	2	PC.
21			341462-6	PLATE	1	PC.
22			911225-0	PAN HEAD SCREW M5X16	2	PC.
23			163442-0	SHOE	1	PC.
24			421693-4	INSULATION COVER	1	PC.
25			257558-2	SLEEVE 9	1	PC.
26			344732-2	INNER PLATE	1	PC.
27			344733-0	LOCK PLATE	1	PC.
28	1		272240-2	LEVER 60 - N/L/A	1	PC.
	2		152904-3	LEVER 60 COM. (Incl. Item No.31)	1	PC.
29			921442-4	HEX. BOLT M8X25	1	PC.
30			911114-9	PAN HEAD SCREW M4X10	1	PC.
31			931102-0	HEX. NUT M4	1	PC.
32			266220-8	TORX SOCKET HEAD BOLT M6X15	1	PC.
33			212001-8	NEEDLE BEARING 708	1	PC.
34			153267-0	GEAR COMPLETE	1	PC.
35			285696-0	BEARING RETAINER A	1	PC.
36			211061-7	BALL BEARING 6000LLB	1	PC.
37			257146-5	RING 10	1	PC.
38			210057-5	BALL BEARING 6900LLB	1	PC.
39			443107-3	FELT 8X24	1	PC.
40			251969-3	HEX. SOCKET HEAD BOLT M5X12	2	PC.
41			323887-6	GEAR SHAFT	1	PC.
42			344795-8	PLATE C	1	PC.
43			317229-4	GEAR HOUSING	1	PC.
44			266012-5	TAPPING SCREW 5X35	4	PC.
45			911601-8	PAN HEAD SCREW M5X8	3	PC.
46			961016-9	STOP RING E-10	1	PC.
47			211131-2	BALL BEARING 6001DDW	1	PC.
48			961016-9	STOP RING E-10	1	PC.
49			285697-8	BEARING RETAINER B	1	PC.
50			911516-9	PAN HEAD SCREW M4X12	2	PC.
51			416960-0	FAN GUIDE	1	PC.
52			241869-5	FAN 55	1	PC.
53			519052-5	ARMATURE ASS'Y 14.4V	1	PC.

Item No	Type	Ref	Part No	Description	Qty	Unit
		INC.		Item No. 52,54,55		
54			681652-2	INSULATION WASHER	1	PC.
55			210017-7	BALL BEARING 607DDW	1	PC.
56			416959-5	BAFFLE PLATE	1	PC.
57			266209-6	TAPPING SCREW 4X60	2	PC.
58			632828-4	YOKE UNIT	1	PC.
60			643990-0	BRUSH HOLDER	1	PC.
61			911006-2	PAN HEAD SCREW M3X8	1	PC.
62			689116-0	HEAT SINK	1	PC.
63	1		188179-8	* HANDLE SET	1	SET
	2		187240-8	* HANDLE SET	1	SET
64			265995-6	TAPPING SCREW 4X18	4	PC.
65			643941-3	BRUSH HOLDER CAP	2	PC.
66	1		191976-3	CARBON BRUSH CB-432 2PC/SET - N/L/A	1	SET
66	2		194435-6	CARBON BRUSH CB-441 2PC/SET (W/O ORIGIN) - N/L/A	1	SET
66	3		195022-4	CARBON BRUSH CB-441, 2PCS/SET, W/ORIGIN	1	SET
67			643949-7	BRUSH HOLDER R	1	PC.
69			416957-9	MOTOR HOUSING	1	PC.
70			419613-0	LOCK OFF BUTTON	1	PC.
71			232152-1	LEAF SPRING	1	PC.
72	1		650582-8	* SWITCH C3LA-1A-PSR	1	PC.
	2		650646-8	* SWITCH C3LA-1A-PSRS	1	PC.
73			233118-4	COMPRESSION SPRING 4	1	PC.
74			419612-2	SWITCH LEVER	1	PC.
75	1		643811-6	* TERMINAL	1	PC.
	2		643867-9	* TERMINAL	1	PC.
76			266050-7	TAPPING SCREW 4X30	2	PC.
100			652038-7	PAN HEAD SCREW M3X8	2	PC.
101			654037-5	INSULATED TERM. RBV1.25-3.5T	2	PC.
102			654208-4	RECEPTACLE	2	PC.

#### **ACCESSORIES**

- See catalogue or visit [www.makita.ca](http://www.makita.ca) for more accessories information -

A01			194066-1	14.4V LI-ION BATTERY BL1430	1	PC.
A02	1		DC18RA	CHARGER DC18RA	1	PC.
	2		DC18RC	CHARGER DC18RC	1	PC.
A03	1		824760-8	PLASTIC CARRYING CASE	1	PC.
	2		141354-7	PLASTIC CARRYING CASE COMPLETE	1	PC.
A04	1		193572-3	RECIPRO SAW BLADE 3PC/SET - N/L/A	1	SET
	2		194068-7	RECIPRO SAW BLADE 2PC/SET	1	SET

## **SERVICE CHANGES**

### **1. Changes on Switch, Terminal and Housing Set (Battery Protection Circuit)**

(T/I# 92457)

<b>Item No.</b>	<b>Description</b>	<b>Type 1</b>	<b>Type 2</b>
72	Switch	650582-8	650646-8
75	Terminal	643811-6	643867-9
63	Housing Set	188179-8	187240-8

Above parts are completely interchangeable as a set.

#### **Service Note:**

- Use **TYPE 2** for repair of the model manufactured on or after **September 2011** with using **Yellow lead wire between Switch and Terminal.**
- Use **TYPE 1** for repair of the model manufactured before September 2011 without using Yellow lead wire between Switch and Terminal.

**\*\* See *Technical Information #92457* for *Wiring Diagram Change***